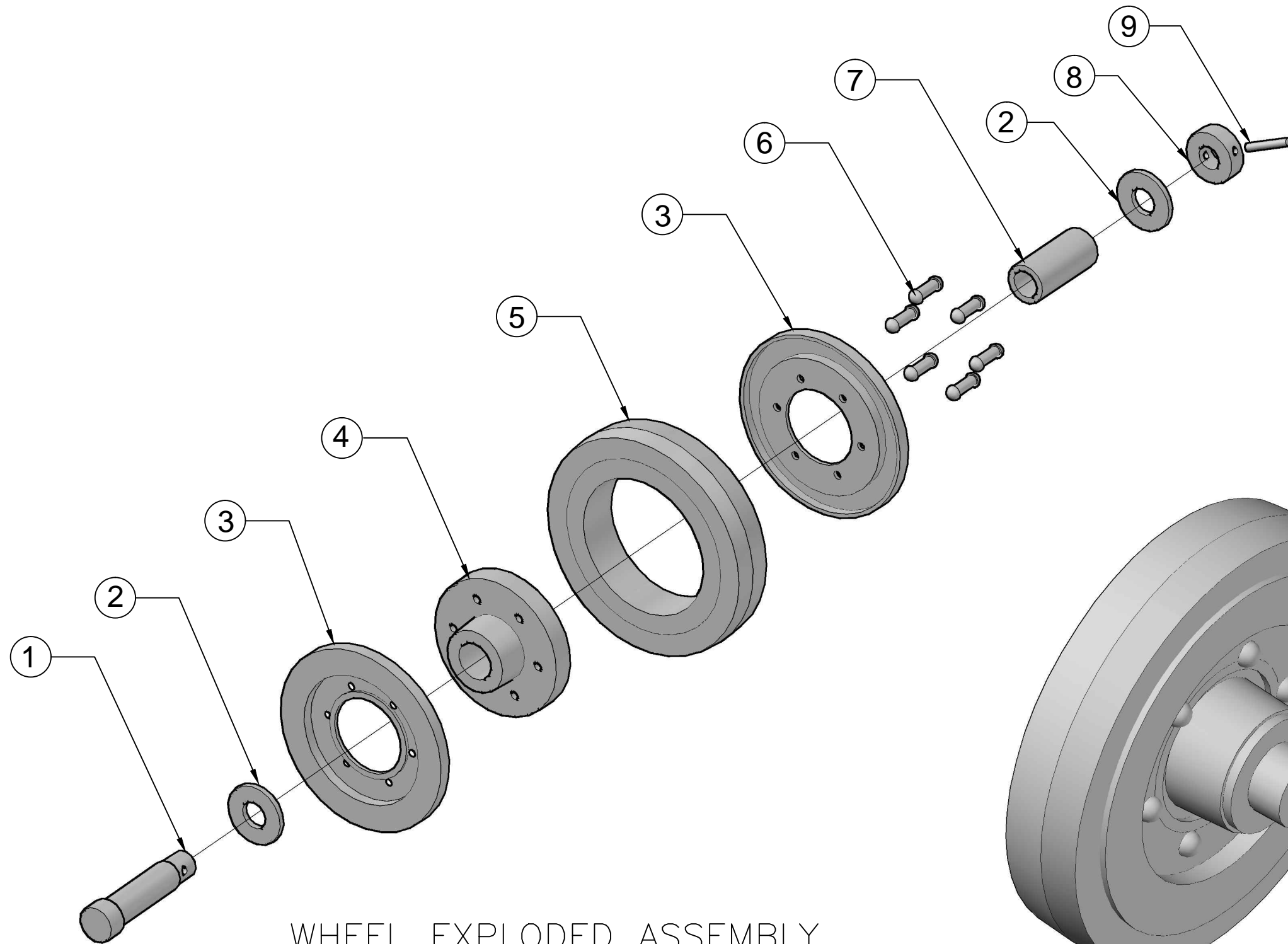
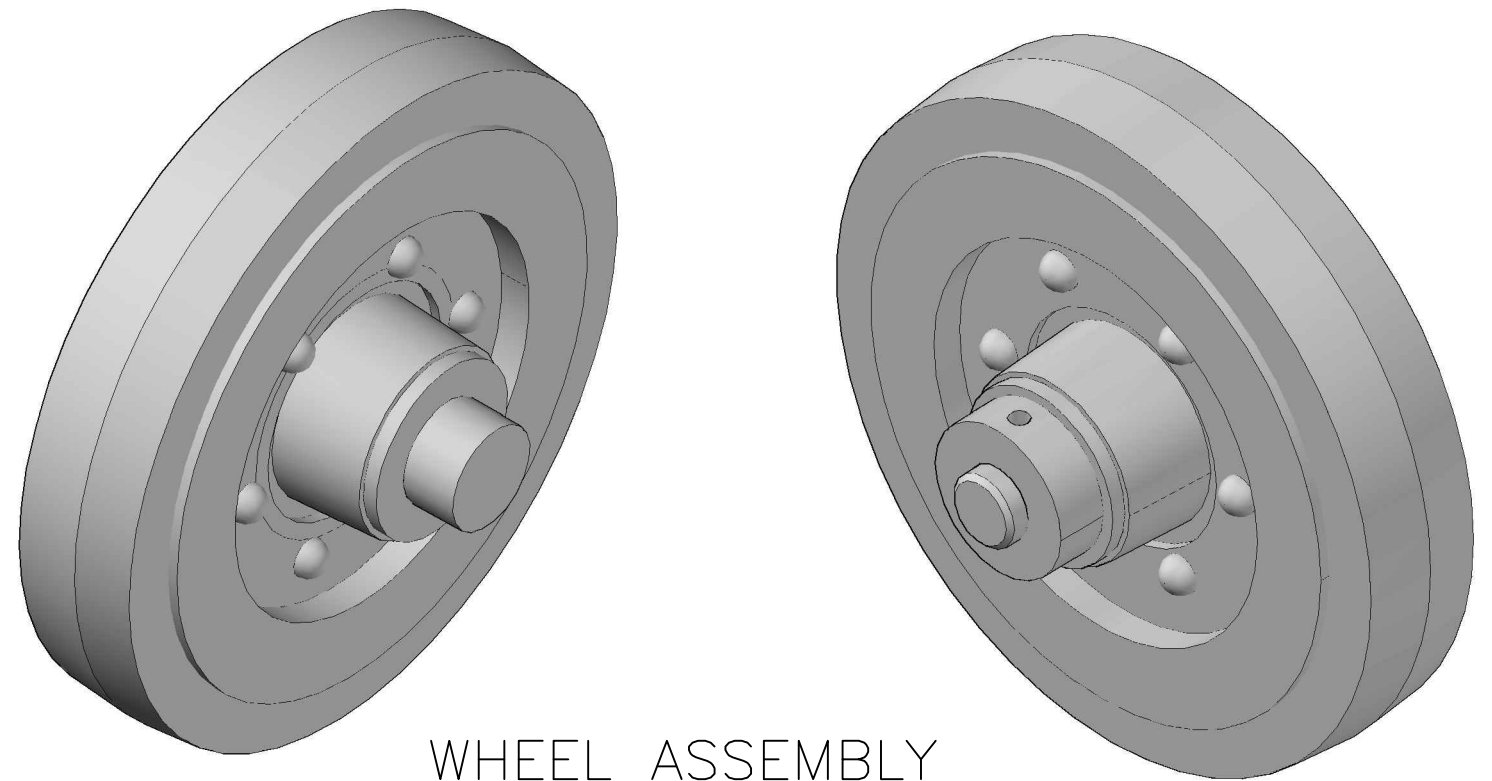


PARTS LIST

PART #	QTY	PART NAME	MATERIAL
1	1	AXLE	TYP
2	2	WASHER	TYP
3	2	SIDE PANEL	TYP
4	1	RIM	TYP
5	1	WHEEL	TYP
6	6	RIVET	TYP
7	1	OILLESS BUSHING	TYP
8	1	WHEEL LOCK	TYP
9	1	SPRING PIN	TYP



WHEEL EXPLODED ASSEMBLY
1:4 SCALE

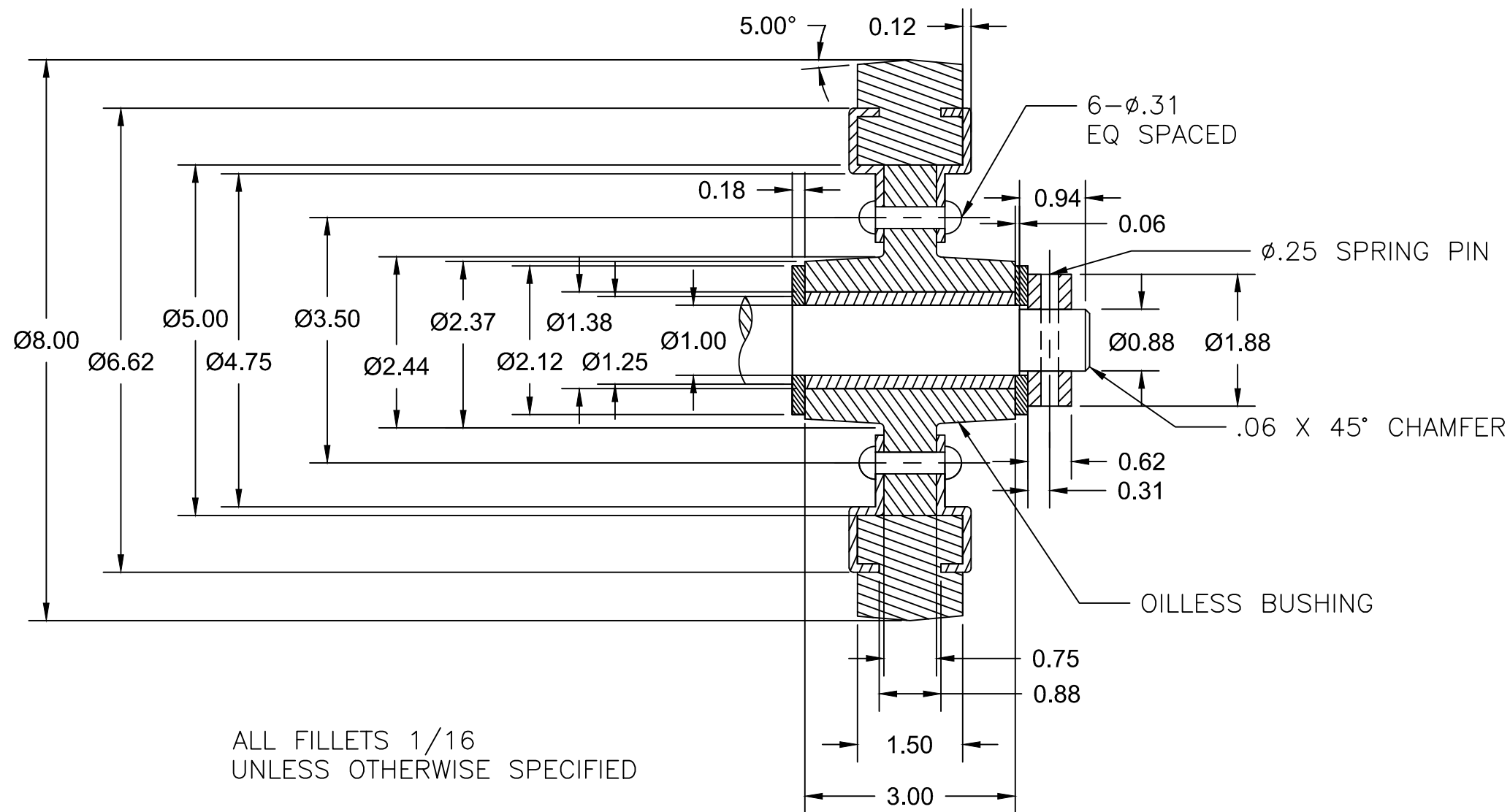


WHEEL ASSEMBLY
1:2 SCALE

DIGITAL DESIGN GRAPHIC TECHNOLOGY	NAME:	E. PEREZ	DWG NAME:	11-55	SHEET NO:	1 OF 2
	COURSE:	DDGT 120		WHEEL ASSEMBLY		
	DATE:	5/6/2013	SCALE:	1:2		

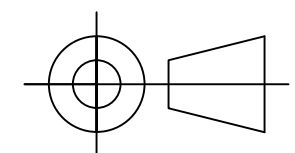
PARTS LIST

PART #	QTY	PART NAME	MATERIAL
1	1	AXLE	TYP
2	2	WASHER	TYP
3	2	SIDE PANEL	TYP
4	1	RIM	TYP
5	1	WHEEL	TYP
6	6	RIVET	TYP
7	1	OILLESS BUSHING	TYP
8	1	WHEEL LOCK	TYP
9	1	SPRING PIN	TYP



LEGEND:

Ø DIAMETER



DIGITAL DESIGN
GRAPHIC
TECHNOLOGY

NAME:	E. PEREZ	DWG NAME:	11-55	SHEET NO:	
COURSE:	DDGT 120		WHEEL ASSEMBLY	2 OF 2	
DATE:	5/6/2013	SCALE:	1:2		